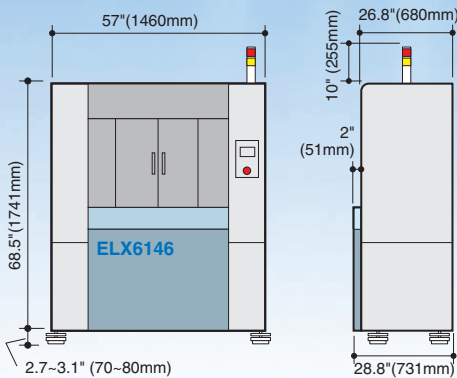


# ELX6146

**Value Priced,  
Simple,  
Easy to use.**



- **System Requirements :** Control PC & Monitor
- **Probe Type :** Users can choose one of different types of probes depending on tester models. Please ask our sales for specifications of each probe & PC.
- **Software :** EMMA2000 is standard. Ask our sales department about our optional software.
- **Operating Conditions :** 70-75°F (21-24°C), 30 - 70 % relative humidity, non-condensing, no dust, no vibration, no corrosive gas.



## ● SPECIFICATION

Max. Test Area	19.7 x 24"(500 x 610mm)
Number of Probe	2 Front, 2 Rear
Min. Board Size	3 x 3"(76 x 76mm)
Max. Board Thickness for Clamping	0.236"(6mm)
Repeatable Accuracy	±0.000394"(±10μm)
Resolution	0.000236"(6μm)
Min. Pad Pitch	0.007087"(180μm)
Min. Pad Size	0.003"(76μm)
Test Voltage of Resistance Measurement	Continuity test:0-10V Isolation test:250V(500V/1000V option)
Test Current of Resistance Measurement	Continuity test:2.65μA-125mA
Clamp System	Manual(Tension Clamp)
Number of CCD Camera	2 Front, 2 Rear
Monitor	not available
Printer	external(option)
Air Requirements(Pressure, Consumption)	N/A
Power Supply (Single Phase AC200-240V 50/60Hz) *	8A
Weight	1676lbs.(760kg)

\* Power Supply : There is a case incoming current about decuple of amperage rating might pass when power is on. Please choose breaker that will not cause any malfunction by this incoming current.