



TENTATIVE

ULTRA FAST AND VERSATILE LEGEND, SOLDER MASK, AND ETCH RESIST PRINTING

NEW 6 PRINT ARRAY HEAD FOR MAXIMUM SPEED!!



MJ6151D3/D6
New Model

600dpi

PRINT FULL 20 X 24 PRINT IN 18 SECONDS!!^{*1}

Print X-outs and serial numbers by linking to EMMA probers.

*1 Printing speed does not include the time for setup or alignment.

Specification

General Specification

| MJ6151D3/D6 | |
|------------------------|---------------------------------------|
| Max Printing Size | 20 x 24" (510 x 610mm) |
| Board Thickness | 0.004" to 0.4" (0.1-10mm) |
| Board Securing Method | Vacuum style or tooling pin |
| Warpage Removal System | Warpage Correction Roller, Edge Clamp |
| Alignment | CCD Camera |
| Monitor | LCD monitor |
| Software | Windows base operation software |
| Data Input Format | RS274X |
| Optional Input Format | RS274D, ODB++, DPF |



Detail Specification for Each Model (*1)

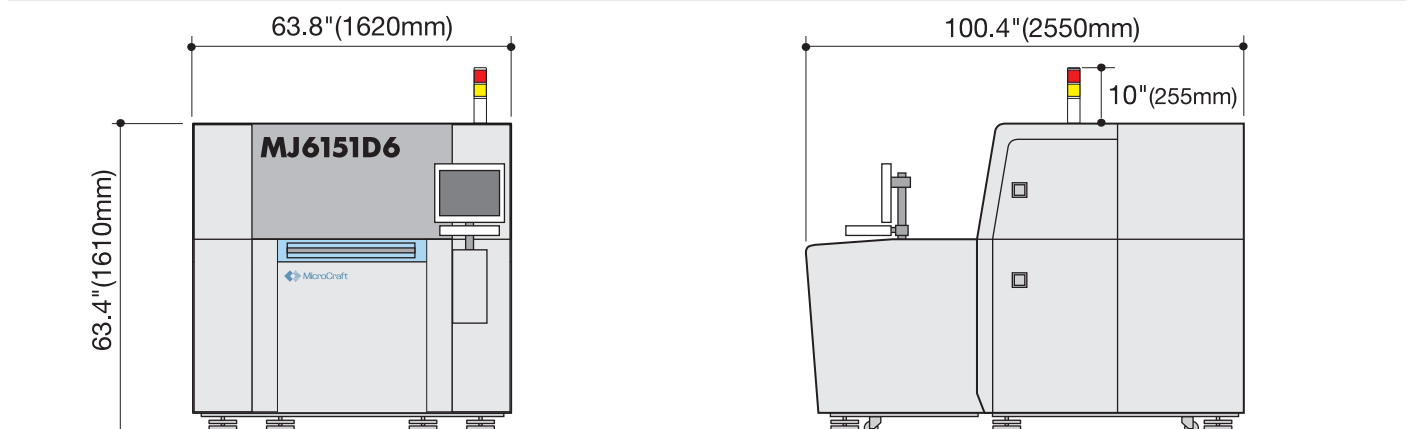
| Model | Applied Ink | Resolution | Droplet | # of nozzle | Min. Line Width | Printing Speed(*2) |
|---------------------|----------------------|------------|---------|-------------|-----------------|--------------------|
| MJ6151D6-6LA | Legend Acrylic/Epoxy | 600dpi | 30pl | 1536 | 3mil (80µm) | 20~26 seconds |
| MJ6151D3-6LA | Legend Acrylic/Epoxy | 600dpi | 30pl | 768 | 3mil (80µm) | 36~46 seconds |
| MJ6151D3-3LA | Legend Acrylic/Epoxy | 300dpi | 135pl | 768 | 4.6mil (120µm) | 18~23 seconds |
| MJ6151D6-6SM | Solder Mask | 600dpi | 30pl | 1536 | - | - |
| MJ6151D3-6SM | Solder Mask | 600dpi | 30pl | 768 | - | - |
| MJ6151D6-6ER | Etch Resist | 600dpi | 30pl | 1536 | - | - |
| MJ6151D3-6ER | Etch Resist | 600dpi | 30pl | 768 | - | - |

(*1) Specifications, designs and dimensions are tentative and subject to change without any notice.

(*2) In case of the board size at 20 x 24" and not included load/unload and alignment time. Printing time subject to change by setting condition. Applied Ink type determines Model Name. Please specify the model name at the time of placement of order.

[Operating Conditions] 70-75°F (21-24°C), 30-70% relative humidity, non-condensing, no dust, no vibration, no corrosive gas.

Dimensions



URL : (Japan) www.microcraft.jp (USA) www.usamicrocraft.com

E-mail : (Japan) sales@microcraft.co.jp (USA) sales@usamicrocraft.com

● MicroCraft K.K.

Tel+81-86-241-6681 Fax+81-86-241-7052
Headquarters : 630-2 Tanaka, Okayama 700-0951 JAPAN

● USA MicroCraft, Inc.

Tel+1-916-273-1600 Fax+1-916-457-9896
Headquarters : 8220-C Belvedere Ave., Sacramento, CA 95826 USA

